

# hydromes

## AcquaMAG<sup>®</sup>

Electronic water meter  
Induction flow meter

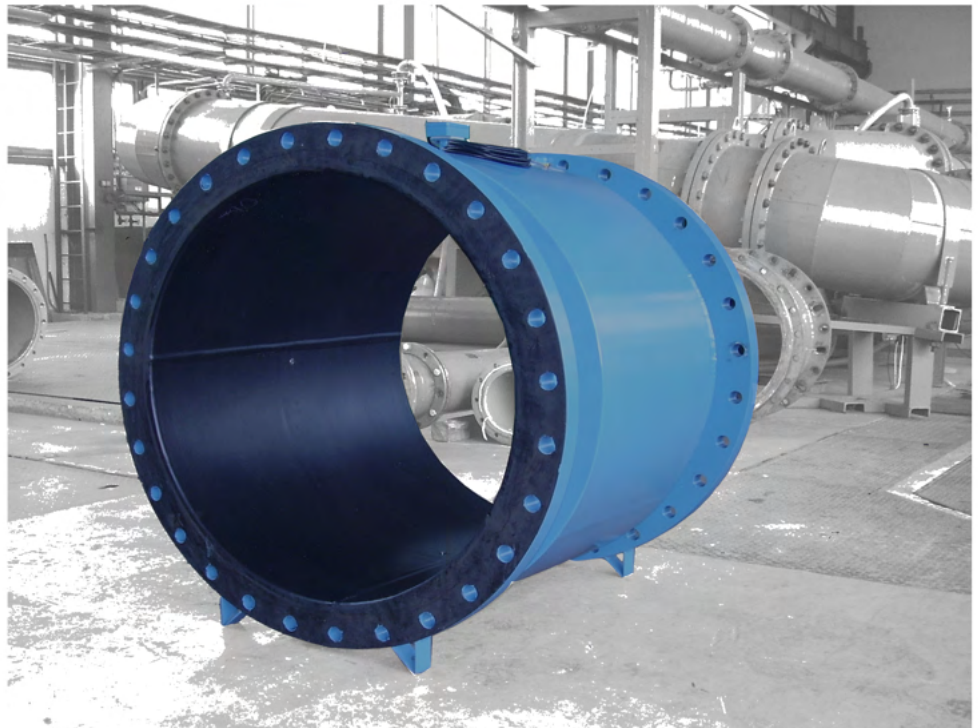
Certified in accordance with Directive 2014/32/EU (MID)

Wide range of measuring (R250)

High degree of shielding (IP67)

Data communication by MODBUS RTU

Approved for drinking water



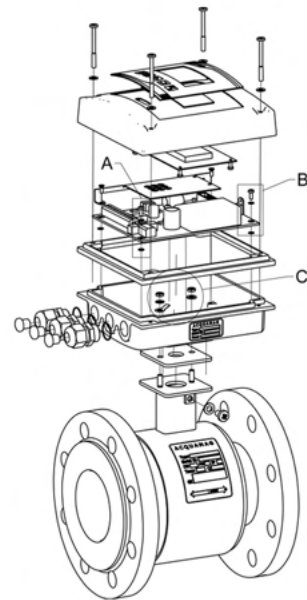
# AcquaMAG<sup>®</sup> electromagnetic flow meter

is a meter suitable for use in water management technologies for measuring the flow and flowed volume of drinking and waste water up to a temperature of 50 °C as a multi-purpose electronic water meter.

Flow measurement is based on the principle of electromagnetic induction. The measuring tube does not contain moving parts, ie it causes almost no pressure loss in the pipeline and the flow meter can also measure heavily contaminated liquid containing solid particles.

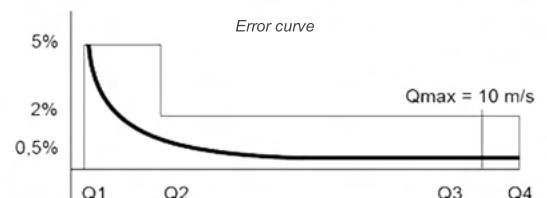
The device is offered in a flanged design, construction lengths are identical to classic water meters of the same size. It is also supplied in a so-called separate version, where the electronic unit is connected to the sensor by a special cable up to 25 m long.

It is approved according to the Directive 2014/32 / EU (MID).



Nominal diameter	DN 15 through DN 1000
Nominal pressure	PN 10 through PN 16
Connection to tubing	Flanges EN, DIN, ANSI
Measuring tube lining	Rubber, PTFE
Electrodes	Stainless steel AISI 316L
Measurement error	according to OIML R 49 class 2
Range	250/R160/R100
Resolution	0.01 m <sup>3</sup>
Ambient temperature	0 through 50°C
Temperature class	T50
Environment class	M1/B/E1
Power supply	100 through 240 V AC (optionally 12 through 24 V AC/DC)
Input power	10 VA max.
Outputs	2x passive, pulse, galvanically separated, programmable, 50 ms/imp (f=10 Hz, transistor NPN, loading 30 V/50 mA max.) 1x active, current, programmable (4-20 mA up to loading of 500 Ohm max.) 1x RS 232
Communication	keyboard, graphical, permanently illuminated display, RS232 , protocol MODBUS RTU
Shielding	IP 67

DN	Q3 / Q1	Q1	Q2	Q3	Q4	Qmax
mm	R	m <sup>3</sup> /h				l/s
15	250	0,0252	0,04	6,3	7,875	1,8
20	250	0,04	0,064	10	12,5	3,2
25	250	0,064	0,1	16	20	5
32	250	0,1	0,16	25	31,25	8
40	250	0,16	0,256	40	50	12,5
50	250	0,252	0,4	63	78,75	20
65	250	0,4	0,64	100	125	32
80	250	0,64	1,024	160	200	50
100	250	1	1,6	250	312,5	80
125	250	1,6	2,56	400	500	120
150	250	2,52	4,032	630	787,5	180
200	250	4	6,4	1000	1250	320
250	160	10	16	1600	2000	500
300	160	15,625	25	2500	3125	700
350	160	15,625	25	2500	3125	960
400	160	25	40	4000	5000	1250
500	160	39,375	63	6300	7875	2000
600	160	62,5	100	10000	12500	2800
700	160	62,5	100	10000	12500	3850
800	100	160	256	16000	20000	5000
900	100	160	256	16000	20000	6350
1000	100	250	400	25000	31250	7850



**NATIONAL INSTITUTE OF PUBLIC HEALTH**Šrobárova 48  
Praha 10  
100 42  
Czech RepublicHYDROMESS Ltd  
Holandská 878/2  
639 00 BRNO  
Czech Republic

YOUR REFERENCE:	
IN YOUR LETTER OF OUR REFERENCE:	30 June 2017 2366/2017 EX 170941
EXECUTED BY:	L. Nešpůrková, MSc, PhD
PHONE/FAX:	+420 26708 2374 / 26708 2271
E-MAIL:	ludmila.nesporkova@szu.cz
DATE:	11 July 2017

Re: Expert assessment of AcquaMAG flowmeters for compliance with the health safety requirements for products intended to come into contact with drinking water of Act No. 258/2000 and Ministerial Regulation No. 409/2005.

Your company has asked to update the manufacturer's address and the positive assessment report on the compliance of the AcquaMAG inductive flowmeters with the health safety requirements for contact with drinking water. The AcquaMAG flowmeters contain the following components that come into contact with drinking water: **measuring pipe inner coating – hardened rubber H1102** manufactured by Wagu Gummitchnik GmbH, D-595 66 Warstein and **sensing electrodes – stainless steel 1.4301**. The above-mentioned components were tested and positively assessed as compliant with the health safety requirements of Ministerial Regulation No. 409/2005 by the Public Health Institute based in Brno, Czech Republic, under reference number 15/2006 on 23 February 2006 – Authorized Testing Report No. 467-472/2006. Inductive flowmeters as a whole were positively assessed by the Water Hygiene Laboratory of the National Institute of Public Health, Prague, Czech Republic under reference number 1261/09 on 21 April 2009. Individual components of the AcquaMAG inductive flowmeters are imported and assembled by your company Hydromess Ltd, Brno, Czech Republic.

In accordance with the conclusions of the above-mentioned test reports, it can be concluded that the **AcquaMAG flowmeters** manufactured by Hydromess Ltd, Brno, Czech Republic **comply with the health safety requirements** for products intended to come into contact with drinking water laid down by Act No. 258/2000, as last amended and by Ministerial Regulation No. 409/2005, as last amended and that there is no objection to the **use of these products in permanent contact with drinking water**.

*Helena Kazmarová*  
Helena Kazmarová, MD  
Head of the Centre for Health and the Environment

**STÁTNÍ ZDRAVOTNÍ ÚSTAV**  
Centrum zdraví a životního prostředí  
100 42 Praha 10, Šrobárova 48

PHONE: +420 267 081 111  
FAX: +420 272 744 354

BANK DETAILS: 17500119716

IDENTIFICATION NUMBER: T900030

Slovenský metrologický ústav  
Karlovenská 63, 842 55 Bratislava 4,  
Slovenská republikaSNAS  
Reg. No. 101UP-035**CERTIFIKÁT EÚ SKÚŠKY TYPU**  
*EU – type examination certificate*Číslo dokumentu:  
Document number:SK 11-MI001-SMU023  
Revízia 2 nahrádza certifikát zo dňa 2. mája 2018  
Revision 2 replaces the certificate issued by May 2, 2018Revízia 2  
Revision 2V súlade s:  
In accordance with:prílohou č. 2, Modul B nariadenia vlády Slovenskej republiky č. 145/2016 Z. z. o sprístupňovaní meradiel na trhu v znení nariadenia vlády SR č. 328/2019 Z. z., ktorým sa preberá smernica Európskeho parlamentu a Rady 2014/32/EU o harmonizácii právnych predpisov členských štátov týkajúcich sa sprístupnenia meradiel na trhu  
Annex II, Module B to Government Ordinance of the Slovak Republic No. 145/2016 Coll. Relating to the making available on the market of measuring instruments as amended by Government Ordinance of the Slovak Republic No. 328/2019 Coll., which implemented the Directive 2014/32/EU of the European Parliament and of the Council on the harmonisation of the laws of the Member States relating to the making available on the market of measuring instrumentsŽiadateľ/Výrobca:  
Issued to (Manufacturer):Hydromess s.r.o.  
Holandská 872/2, Štýfice, 639 00 Brno, Czech RepublicDruh meradla:  
Type of instrument:Vodomer (MI-001)  
Water meter (MI-001)Označenie typu:  
Type designation:

F401 ACQUAMAG

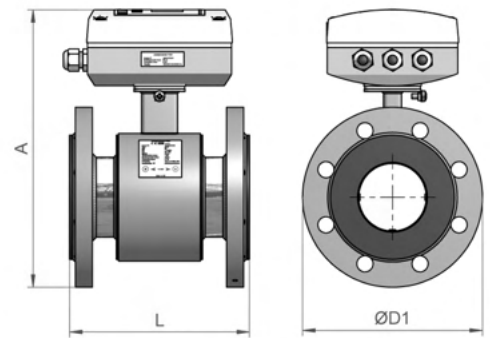
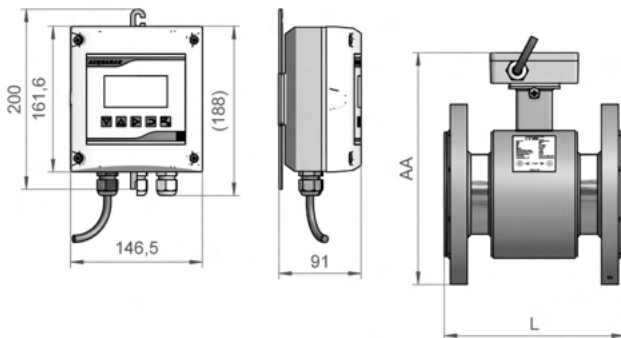
Základné požiadavky:  
Essential requirements:príloha č. 1 a príloha č. 3 Vodometry (MI-001) k nariadeniu vlády SR č. 145/2016 Z. z. v znení nariadenia vlády SR č. 328/2019 Z. z.  
Annex No. 1 and Annex No. III Water meters (MI-001) to Government Ordinance of the Slovak Republic No. 145/2016 Coll. as amended by Government Ordinance of the Slovak Republic No. 328/2019 Coll.Platnosť do:  
Valid until:2. december 2031  
December 2, 2031Notifikovaná osoba:  
Notified body:Slovenský metrologický ústav 1781  
Slovak Institute of Metrology 1781Dátum vydania:  
Date of issue:2. december 2021  
December 2, 2021

Základné charakteristiky, popis meradla a podmienky schválenia sú uvedené v prílohe, ktorá je súčasťou tohto certifikátu. Certifikát vrátane prílohy má spolu 11 strán.  
Essential characteristics, instrument description and approval conditions are set out in the appendix hereto, which forms the part of the certificate. The certificate including the appendix contains 11 pages.



*Viliam Mazár*  
Viliam Mazár  
zástupca notifikovanej osoby  
representative of notified body

Poznámka: Tento certifikát EÚ skúšky typu môže byť rozmnožovaný len celý a nezmenený. Bez podpisu a odtlačku pečiatky je neplatný.  
Note: This EU-type examination certificate shall not be reproduced except in full. Certificates without signature and stamp are not valid.



DN	PN 16											PN 10, PN 16			PN 10							
	15	20	25	32	40	50	65	80	100	125	150	200	250	300	350	400	500	600	700	800	900	1000
L	165	165	200	200	200	200	200	200	250	250	300	350	450	500	500	600	600	800	800	1000	1000	1000
A	216	221	231	249	259	274	294	309	319	359	389	445	525	578	638	693	815	938	1033	1130	1220	1335
AA	163	168	178	196	206	221	241	256	266	306	336	392	472	525	585	640	762	885	980	1077	1167	1335
D1	95	105	115	140	150	165	185	200	220	250	285	340	405	460	520	580	715	840	910	1025	1125	1225
(kg)	2	2	2	3	5	6	9	11	13	20	24	34	41	55	65	110	120	155	230	325	420	510



Hydromess s.r.o., Holanská 878/2, 639 00 Brno

[www.vodomernatechnika.cz](http://www.vodomernatechnika.cz)

[info@hydromess.eu](mailto:info@hydromess.eu)